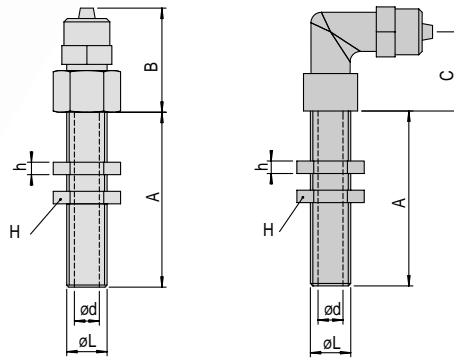


Extensions, series L



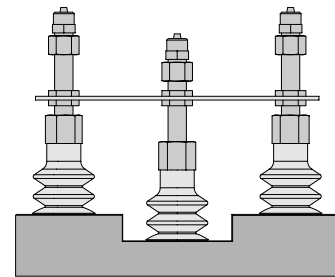
Applications:

The extensions in series L allow gripping on various levels from the same installation plate. These extensions can be adjusted at different heights. This system is especially useful for 2.5 bellows type suction cups, as height adjustment is made easier by the deflection of the suction cup. For flat suction cups with a small deflection, it is preferable to use spring systems (see page 90).

Characteristics:

Models L	A* mm			B mm	C mm	h mm	H mm	d mm
1/8 Gas	22	42	52	25	19	3	14	6
1/4 Gas	19	49	69	29	24	4	19	9

(* Other lengths on request for quantities of more than 10 items.

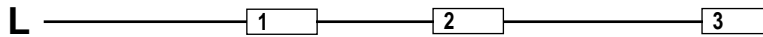


Specifications:

Threaded rod and nut	Brass
Coupling	Nickel-plated brass

On request:

Possibility of T coupling: please consult us.



1: Thread	
18	1/8 gas
14	1/4 gas

2: Adjustable stroke	
22 - 42 - 52	for 1/8 gas
19 - 49 - 69	for 1/4 gas

3: Couplings	
D46	Straight 4x6
D68	Straight 6x8
C46	Elbowed 4x6
C68	Elbowed 6x8

Compact spring system, series TS 1.17

Specifications:

Stroke	7 mm
Spring material	Stainless steel
Slider material	Nickel-plated brass
Nut material	Brass
Spring force N/mm	0.68
Force at rest N	1.3
Weight	17 g

Fitting of suction cups:

The spring system in series TS 1.17 can be fitted on all suction cups in group 1 (VP, VSA, VS with diameters of between 5 and 25 mm) for IM21 and on suction cups in series VPG 5 to 20.

